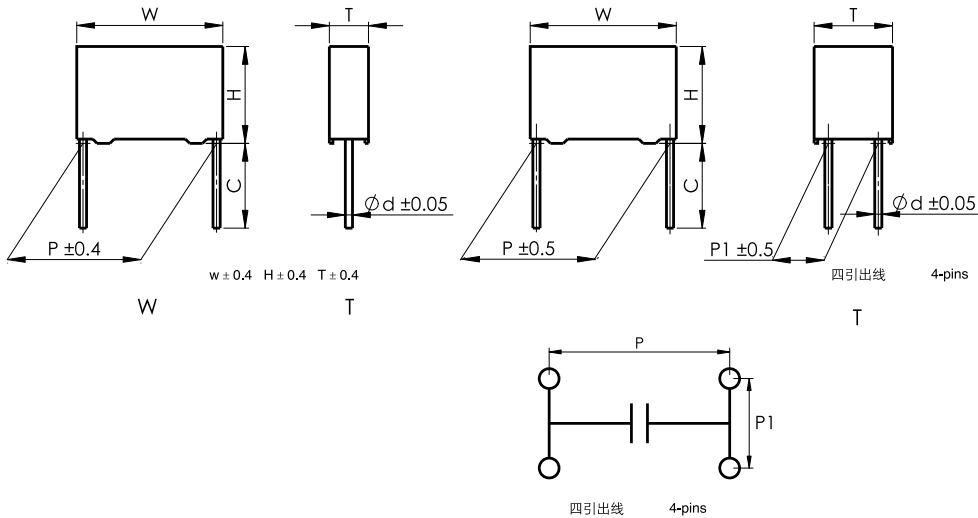


## 金属化聚丙烯膜抗干扰电容器 ( X2类, 305Vac/275Vac ) Metallized polypropylene film interference Suppression capacitor ( Class X2, 305Vac/275Vac )

### ■ 外形图 Outline Drawing



### ■ 特点

- 金属化聚丙烯
- 能承受过压冲击
- 优异的阻燃性能
- 用于电源跨线路等抗干扰场合

### ■ Features

- Metallized polypropylene structure
- Withstanding overvoltage stressing
- Excellent active and passive flame resistant abilities
- Used in across-the-line, interference suppression circuit

### ■ 安全认证 Safety Approvals

●		CQC (中国)
●		ENEC-VDE (欧盟)
●		UL/CUL (美国/加拿大)
●		KC (韩国)

### ■ 技术要求 Specifications

气候类别 / 阻燃等级 Climatic Category/Passive Flammability Category	40/110/56/B		
工作温度范围 Operating Temperature Range	-40 ~ +110		
额定电压 Rated Voltage (U <sub>R</sub> )	305Vac/275Vac, 50/60Hz		
电容量范围 Capacitance Range	0.0010μF ~ 25.0μF		
电容量偏差 Capacitance Tolerance	±10%(K), ±20%(M)		
耐电压 Voltage Proof	引线之间 Between Terminals:	4.3U <sub>R</sub> (Vdc), 2s	
	极壳之间 Between Terminals To Case:	2 120Vac, 1min	
绝缘电阻 Insulation Resistance	R 15 000M, C <sub>N</sub> 0.33μF RC <sub>N</sub> 5 000s, C <sub>N</sub> > 0.33μF (20, 100V, 1min)		
损耗角正切 Dissipation Factor(tan δ)	0.0010μF C <sub>N</sub> < 0.010μF	20 x 10 <sup>-4</sup> (1kHz,20 )	20 x 10 <sup>-4</sup> (10kHz,20 )
	0.010μF C <sub>N</sub> < 0.47μF	10 x 10 <sup>-4</sup> (1kHz,20 )	20 x 10 <sup>-4</sup> (10kHz,20 )
	0.47μF C <sub>N</sub> 1.0μF	20 x 10 <sup>-4</sup> (1kHz,20 )	40 x 10 <sup>-4</sup> (10kHz,20 )
	1.0μF < C <sub>N</sub> 10.0μF	30 x 10 <sup>-4</sup> (1kHz,20 )	-----
	10.0μF < C <sub>N</sub> 50.0μF	40 x 10 <sup>-4</sup> (1kHz,20 )	-----
注: 1. 推荐用于电网额定电压不超过 250VAC 场合; 2. 如果需要用到承载一定纹波电流场合, 建议选用 C6A 等专用的滤波电容器; 如有疑问, 请与我司技术工程师联系; 3. 若用于户外或长期湿度较大场合, 建议选用防潮设计。			
Recommend for max rated supply mains voltage 250Vac application ; If used in application which has ripple current applied, recommend to use AC filter series: C6A etc ; If have any questions please contact our technical engineer for more detail; For outdoor or severe humidity condition application, recommend to use THB series.			

产品编码说明 Part number system

■ 18位产品代码如下:

The 18 digits part number is formed as follow:

1	2	3	4	5	6	7	8	9	10	11	12	13	14	15	16	17	18
C	4	2															

第1~3位	型号代码 C42=MKP62	Digit 1 to 3	Series code C42=MKP62
第4~5位	交流额定电压 Q2=305V P2=275V	Digit 4 to 5	AC rated voltage Q2=305V P2=275V
第6~8位	标称容量 举例: 103=10 × 10 <sup>3</sup> pF=0.01μF	Digit 6 to 8	Rated capacitance value For example: 103=10 × 10 <sup>3</sup> pF=0.01μF
第9位	容量偏差 K= ± 10%, M= ± 20%	Digit 9	Capacitance tolerance K= ± 10%, M= ± 20%
第10位	引线脚距P 3=7.5mm 4=10.0mm 6=15.0mm 9=22.5mm A=25.0mm B=27.5mm D=32.5mm F=37.5mm M=52.5mm	Digit 10	Pitch 3=7.5mm 4=10.0mm 6=15.0mm 9=22.5mm A=25.0mm B=27.5mm D=32.5mm F=37.5mm M=52.5mm
第11位	内部特征码	Digit 11	Internal use
第12~15位	引线加工和包装代码	Digit 12 to 15	Lead form and packaging code
第16~18位	内部特征码	Digit 16 to 18	Internal use

■ Table 1 引线加工和包装代码 lead form and packaging code

第12位 Digit 12		第13位 Digit 13		第14位 Digit 14		第15位 Digit 15	
代码 Code	说明 explanation	代码 Code	说明 explanation	代码 Code	说明 explanation	代码 Code	说明 explanation
A	弹带包装 ammo-pack	3 4 6	F=7.5mm F=10.0mm F=15.0mm	0	表示直脚 straight	1 5	产品在连续的两个载带孔之间 each cap. among two consecutive holes P3=12.7mm,H=18.5mm (For pitch=7.5mm) P3=25.4mm;H=18.5mm (For pitch=10.0/15.0mm) (Detail parameter refer to catalogue pag 17)
C	直脚 straight lead "C" in the figure above	代码 Code 00 45	说明 explanation 标准的引线长度 (18mm~26mm) standard lead length 引线长度 4.5mm lead length 4.5mm			0	引线长度偏差 ±0.5mm 或标准长度 Length tolerance ± 0.5mm Or standard length
D E M	软绝缘线 (多股) Insulated stranded leads 硬绝缘线 (单股) Insulated solid leads 软绝缘线 (多股), 外壳带正底安装耳 Insulated stranded leads Box with mounting foot	C5 K0 K2 L0	35mm 100mm 120mm 200mm 注 1: 这里的长度包含剥线长度 Note 1: This length includes the stripping parts. 注 2: 一般 P ≥ 27.5 产品才可选用绝缘线方式 Note 2: Normally, for P ≥ 27.5 Caps can choice Insulated leads.			1 2 3 4	引线长度偏差 -5mm ~ 0mm Length tolerance -5 mm ~ 0 mm 引线长度偏差 0 mm ~ +5 mm Length tolerance 0 mm ~ +5 mm 引线长度偏差 0 mm ~ +10mm Length tolerance 0 mm ~ +10mm 引线长度偏差 ± 5 mm Length tolerance ± 5 mm
T 3	P1=20.3mm ± 0.5mm P1=20mm ± 0.5mm	45 55	引线长度 4.5mm lead length 4.5mm 引线长度 5.5mm lead length 5.5mm			0	引线长度偏差 ± 0.5mm 或标准长度 Length tolerance ± 0.5mm Or standard length

## ■ 外形尺寸 Dimensions ( mm )

### 标准型 Standard version

305Vac/275Vac <sup>#</sup>						
C <sub>N</sub> (μF)	W	H	T	P	d	Part number
0.0047	13.0	9.0	4.0	10.0	0.6	C42Q2472-40****+
0.0056	13.0	9.0	4.0	10.0	0.6	C42Q2562-40****+
0.0068	13.0	9.0	4.0	10.0	0.6	C42Q2682-40****+
0.0082	13.0	9.0	4.0	10.0	0.6	C42Q2822-40****+
0.010	13.0	9.0	4.0	10.0	0.6	C42Q2103-40****+
0.012	13.0	9.0	4.0	10.0	0.6	C42Q2123-40****+
0.015	13.0	9.0	4.0	10.0	0.6	C42Q2153-40****+
0.018	13.0	9.0	4.0	10.0	0.6	C42Q2183-40****+
0.022	13.0	9.0	4.0	10.0	0.6	C42Q2223-40****+
0.027	13.0	9.0	4.0	10.0	0.6	C42Q2273-40****+
0.033	13.0	9.0	4.0	10.0	0.6	C42Q2333-4S****+
0.039	13.0	9.0	4.0	10.0	0.6	C42Q2393-4S****+
0.047	13.0	9.0	4.0	10.0	0.6	C42Q2473-4S****+
0.056	13.0	11.0	5.0	10.0	0.6	C42Q2563-4S****+
0.068	13.0	11.0	5.0	10.0	0.6	C42Q2683-4S****+
0.082	13.0	11.0	5.0	10.0	0.6	C42Q2823-4S****+
0.10M	13.0	11.0	5.0	10.0	0.6	C42Q2104M4S****+
0.10K	13.0	12.0	6.0	10.0	0.6	C42Q2104K4S****+
0.12	13.0	13.0	7.0	10.0	0.6	C42Q2124-4S****+
0.15	13.0	13.0	7.0	10.0	0.6	C42Q2154-4S****+
0.18	13.0	14.0	8.0	10.0	0.6	C42Q2184-4S****+
0.22M	13.0	14.0	8.0	10.0	0.6	C42Q2224M4S****+

305Vac/275Vac <sup>#</sup>						
C <sub>N</sub> (μF)	W	H	T	P	d	Part number
0.010	17.5	9.5	5.0	15.0	0.6	C42Q2103-6A****+
0.012	17.5	9.5	5.0	15.0	0.6	C42Q2123-6A****+
0.015	17.5	9.5	5.0	15.0	0.6	C42Q2153-6A****+
0.018	17.5	9.5	5.0	15.0	0.6	C42Q2183-6A****+
0.022	17.5	9.5	5.0	15.0	0.6	C42Q2223-6A****+
0.027	17.5	9.5	5.0	15.0	0.6	C42Q2273-6A****+
0.033	17.5	9.5	5.0	15.0	0.6	C42Q2333-6A****+
0.039	17.5	9.5	5.0	15.0	0.6	C42Q2393-6A****+
0.047	17.5	9.5	5.0	15.0	0.6	C42Q2473-6A****+
0.056	17.5	9.5	5.0	15.0	0.6	C42Q2563-6A****+
0.068	17.5	9.5	5.0	15.0	0.6	C42Q2683-6A****+
0.082	17.5	9.5	5.0	15.0	0.6	C42Q2823-6A****+
0.10M	17.5	9.5	5.0	15.0	0.6	C42Q2104M6A****+
0.10	17.5	11.0	5.0	15.0	0.6	C42Q2104-6S****+
0.12	17.5	11.0	5.0	15.0	0.6	C42Q2124-6S****+
0.15M	17.5	11.0	5.0	15.0	0.6	C42Q2154M6S****+
0.15K	17.5	12.0	6.0	15.0	0.6	C42Q2154K6S****+
0.18	17.5	12.0	6.0	15.0	0.6	C42Q2184-6S****+
0.22M	17.5	12.0	6.0	15.0	0.6	C42Q2224M6S****+
0.22K	17.5	13.5	6.0	15.0	0.6	C42Q2224K6B****+
0.22K	17.5	12.0	7.0	15.0	0.6	C42Q2224K6C****+
0.22K	17.5	13.5	7.5	15.0	0.6	C42Q2224K6S****+
0.27	17.5	13.5	7.5	15.0	0.6	C42Q2274-6S****+
0.33M	17.5	13.5	7.5	15.0	0.6	C42Q2334M6S****+
0.33K	17.5	14.0	8.0	15.0	0.6	C42Q2334K6S****+
0.33M	17.5	12.5	9.0	15.0	0.6	C42Q2334M6A****+
0.33M	17.5	17.5	6.0	15.0	0.6	C42Q2334M6B****+
0.33K	17.5	18.5	7.5	15.0	0.8	C42Q2334K6A****+
0.33	17.5	12.0	13.0	15.0	0.8	C42Q2334-6C****+
0.39	17.5	14.5	8.5	15.0	0.6	C42Q2394-6S****+
0.47M	17.5	14.5	8.5	15.0	0.6	C42Q2474M6S****+
0.47M	17.5	18.5	7.5	15.0	0.8	C42Q2474M6A****+
0.47K	17.5	16.0	10.0	15.0	0.8	C42Q2474K6S****+
0.56	17.5	16.0	10.0	15.0	0.8	C42Q2564-6A****+
0.60	17.5	19.0	11.0	15.0	0.8	C42Q2604-6S****+
0.68	17.5	19.0	11.0	15.0	0.8	C42Q2684-6S****+
0.82M	17.5	19.0	11.0	15.0	0.8	C42Q2824M6S****+
0.15	26.5	15.0	6.0	22.5	0.8	C42Q2154-90****+
0.18	26.5	15.0	6.0	22.5	0.8	C42Q2184-90****+
0.22	26.5	15.0	6.0	22.5	0.8	C42Q2224-9S****+
0.27	26.5	15.0	6.0	22.5	0.8	C42Q2274-9S****+
0.33	26.5	15.0	6.0	22.5	0.8	C42Q2334-9S****+
0.39	26.5	15.0	6.0	22.5	0.8	C42Q2394-9S****+
0.47M	26.5	15.0	6.0	22.5	0.8	C42Q2474M9S****+
0.47K	26.5	16.0	7.0	22.5	0.8	C42Q2474K9S****+
0.56	26.5	16.0	7.0	22.5	0.8	C42Q2564-9S****+
0.60	26.5	17.0	8.5	22.5	0.8	C42Q2604-9S****+
0.68	26.5	17.0	8.5	22.5	0.8	C42Q2684-9S****+
0.82	26.5	18.5	10.0	22.5	0.8	C42Q2824-9S****+
1.0	26.5	18.5	10.0	22.5	0.8	C42Q2105-9S****+
1.2	26.5	20.0	11.0	22.5	0.8	C42Q2125-9S****+
1.5M	26.5	20.0	11.0	22.5	0.8	C42Q2155M9S****+
1.5K	26.5	22.0	12.0	22.5	0.8	C42Q2155K9S****+

305Vac/275Vac <sup>#</sup>						
C <sub>N</sub> (μF)	W	H	T	P	d	Part number
1.8	26.5	24.5	15.5	22.5	0.8	C42Q2185-9S****+
2.2	26.5	24.5	15.5	22.5	0.8	C42Q2225-9S****+
2.2	26.5	29.5	14.5	22.5	0.8	C42Q2225-9A****+
0.39	32.0	18.0	9.0	27.5	0.8	C42Q2394-B0****+
0.47	32.0	18.0	9.0	27.5	0.8	C42Q2474-B0****+
0.56	32.0	18.0	9.0	27.5	0.8	C42Q2564-B0****+
0.68	32.0	18.0	9.0	27.5	0.8	C42Q2684-B0****+
0.82	32.0	18.0	9.0	27.5	0.8	C42Q2824-BS****+
1.0	32.0	18.0	9.0	27.5	0.8	C42Q2105-BS****+
1.0	32.0	12.0	18.0	27.5	0.8	C42Q2105-BC****+
1.2	32.0	20.0	11.0	27.5	0.8	C42Q2125-BS****+
1.5	32.0	20.0	11.0	27.5	0.8	C42Q2155-BS****+
1.8	32.0	22.0	13.0	27.5	0.8	C42Q2185-BS****+
2.2M	32.0	22.0	13.0	27.5	0.8	C42Q2225MBS****+
2.2K	32.0	25.0	13.0	27.5	0.8	C42Q2225KBS****+
★ 2.2	32.0	16.0	22.0	27.5	0.8	C42Q2225-BC****+
2.7	32.0	28.0	14.0	27.5	0.8	C42Q2275-BS****+
3.3	32.0	30.0	16.0	27.5	0.8	C42Q2335-BA****+
3.3M	32.0	24.5	15.0	27.5	0.8	C42Q2335MBS****+
3.3K	32.0	28.0	17.0	27.5	0.8	C42Q2335KBS****+
★ 3.3M	32.0	16.0	27.5	27.5	0.8	C42Q2335MBC****+
★ 3.3K	32.0	18.5	31.0	27.5	0.8	C42Q2335KBC****+
3.9	32.0	29.0	19.0	27.5	0.8	C42Q2395-BS****+
3.9	32.0	33.0	18.0	27.5	0.8	C42Q2395-BS****+
4.7M	32.0	33.0	18.0	27.5	0.8	C42Q2475MBS****+
★ 4.7M	32.0	18.5	31.0	27.5	0.8	C42Q2475MBC****+
4.7K	32.0	33.0	18.0	27.5	0.8	C42Q2475KBS****+
★ 4.7	32.0	30.0	21.0	27.5	0.8	C42Q2475-BB****+
5.6	32.0	37.0	22.0	27.5	0.8	C42Q2565-BS****+
6.8M	32.0	37.0	22.0	27.5	0.8	C42Q2685MBS****+
1.5	41.0	22.0	11.0	37.5	1.0	C42Q2155-FS****+
1.8	41.0	22.0	11.0	37.5	1.0	C42Q2185-FS****+
2.2	41.0	24.0	13.0	37.5	1.0	C42Q2225-FS****+
2.2	42.0	15.0	24.0	37.5	1.0	C42Q2225-FC****+
2.7	41.0	24.0	13.0	37.5	1.0	C42Q2275-FS****+
3.3	41.0	26.0	15.0	37.5	1.0	C42Q2335-FA****+
3.3	42.0	28.0	14.0	37.5	1.0	C42Q2335-FS****+
3.3	42.0	15.0	24.0	37.5	1.0	C42Q2335-FC****+
3.9	41.0	30.0	16.0	37.5	1.0	C42Q2395-FS****+
4.7M	42.0	19.0	24.0	37.5	1.0	C42Q2475MFC****+
4.7K	41.0	20.0	26.0	37.5	1.0	C42Q2475KFC****+
4.7	41.0	30.0	16.0	37.5	1.0	C42Q2475-FS****+
5.6	41.0	33.5	18.5	37.5	1.0	C42Q2565-FS****+
6.8	41.0	33.5	18.5	37.5	1.0	C42Q2685-FS****+
6.8	42.0	24.0	32.0	37.5	1.0	C42Q2685-FC****+
8.2	41.0	37.0	22.0	37.5	1.0	C42Q2825-FS****+
10.0M	41.0	37.0	22.0	37.5	1.0	C42Q2106MFS****+
10.0K	41.0	41.0	26.0	37.5	1.0	C42Q2106KFS****+

备注: 1. "-" 表示容量偏差。 "-" =capacitance tolerance code, M= ±20%,K= ±10%  
 2. "\*\*\*\*" 表示引线加工和包装代码 ( 见 table 1 )。 "\*\*\*\*" =lead form and packing code ( refer to table 1 )  
 3. "#" 当额定电压为275Vac时, 第4-5位是P2。 "#" when the rated voltage is 275Vac,the digit 4~5 is P2.  
 4. 不用于与电源串联的场合, 与电源串联用请参见降压专用电容器P150。  
 Not for use in series with the mains,the capacitors for series with the mains,please refer pag.150.  
 5. "★" 表示外壳为圆弧底。 "★" = Arc bottom of the outer shell.