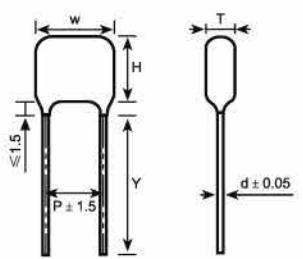


## 无感箔式聚丙烯膜电容器 Polypropylene film/foil capacitor (Non-inductive)

### ■ 外形图 Outline Drawing

	Forming Lead Shapes			
	I	II	III	IV
	P > F		P < F	
	0mm < P-F < 3mm	3mm < P-F < 8mm	3mm < F-P < 5mm	0mm < F-P < 3mm
	F ± 1.0mm; A ≤ 5.0mm; B = 4.5 ± 0.5mm			

### ■ 特点

- 膜箔式电容器，无感卷绕结构，浸渍型
- 优异的频率和温度特性
- 即使在高频下，损耗也极小
- 阻燃环氧粉末包封(UL94/V-0)

### ■ 主要用途

- 广泛用于高频、直流和脉冲电路中

### ■ Features

- film/foil, non-inductive wound type, dipped
- Excellent frequency and temperature characteristics
- Very small loss even at high frequency
- Flame retardant epoxy resin powder coating (UL94/V-0)

### ■ Typical Applications

- Widely used in high frequency, DC and pulse circuits

### ■ 技术要求 Specifications

引用标准 Reference Standard	GB/T 10188 (IEC 60384-13)
气候类别 Climatic Category	40/105/21
额定温度 Rated Temperature	85℃
工作温度范围 Operating Temperature Range	-40℃~105℃ (+85℃ to +105℃: decreasing factor 1.25% per °C for U <sub>R</sub> )
额定电压 Rated Voltage	100V, 160V, 200V, 250V, 400V, 630V, 800V
电容量范围 Capacitance Range	0.0010μF~0.10μF
电容量偏差 Capacitance Tolerance	± 2%(G), ± 5%(J), ± 10%(K)
耐电压 Voltage Proof	2.0U <sub>R</sub> (5s)
损耗角正切 Dissipation Factor	≤ 10 × 10 <sup>-4</sup> (1kHz, 20℃)
绝缘电阻 Insulation Resistance	≥ 50 000MΩ, C <sub>R</sub> ≤ 0.1μF ≥ 5 000s, C <sub>R</sub> > 0.1μF (20℃, 100V, 1min)

## 产品编码说明 Part number system

### ■ 18位产品代码如下:

The 18 digits part number is formed as follow:

1	2	3	4	5	6	7	8	9	10	11	12	13	14	15	16	17	18
C	1	3															

第1~3位	型号代码 C13=CBB13	Digit 1 to 3	Series code C13=CBB13
第4~5位	直流额定电压 2A=100V 2C=160V 2D=200V 2E=250V 2G=400V 2J=630V 2K=800V	Digit 4 to 5	DC rated voltage 2A=100V 2C=160V 2D=200V 2E=250V 2G=400V 2J=630V 2K=800V
第6~8位	标称容量 举例: 103=10 x 10 <sup>3</sup> pF=0.01μF	Digit 6 to 8	Rated capacitance value For example: 103=10 x 10 <sup>3</sup> pF=0.01μF
第9位	容量偏差 G= ± 2%, J= ± 5%, K= ± 10%	Digit 9	Capacitance tolerance G= ± 2%, J= ± 5%, K= ± 10%
第10位	引线脚距 P 0代表所有的脚距	Digit 10	Pitch 0=all the pitch
第11位	内部特征码	Digit 11	Internal use
第12~15位	引线加工和包装代码	Digit 12 to 15	Lead form and packaging code
第16~18位	内部特征码	Digit 16 to 18	Internal use

### ■ Table1 引线加工和包装代码 Lead form and packaging code

第12位 Digit 12		第13位 Digit 13		第14位 Digit 14		第15位 Digit 15	
代码 Code	说明 explanation	代码 Code	说明 explanation	代码 Code	说明 explanation	代码 Code	说明 explanation
A	弹带包装 ammo-pack	3	F=7.5mm	1	表示弯脚 kinked	A	产品在连续的两个载带孔之间 each cap. between two consecutive holes P3=12.7mm,H=20.0mm
		4	F=10.0mm			E	P3=25.4mm; H=20.0mm
		6	F=15.0mm				(Detail parameter refer to pag 18)
F	引线成型 lead kinked	3	F=7.5mm	0	B=4.5mm ( the length of B)	0	B的长度偏差 ± 0.5mm B Length tolerance ± 0.5mm
		4	F=10.0mm				
		6	F=15.0mm				
		9	F=22.5mm				
Y	直脚 straight lead "Y" in the figure above	代码 Code	说明 explanation	0		0	引线长度偏差 ± 0.5mm Length tolerance ± 0.5mm
		45	引线长度 4.5mm lead length 4.5mm				

第12-15位代码为“C000”表示标准的引线长度(20mm~30mm)  
Digit12-15 code "C000" means standard lead length (20mm~30mm)



■ 续 Continued

400Vdc							630Vdc							800Vdc						
C <sub>R</sub> (μF)	W max	H max	T max	P	d	Part number	C <sub>R</sub> (μF)	W max	H max	T max	P	d	Part number	C <sub>R</sub> (μF)	W max	H max	T max	P	d	Part number
0.0010	13.5	10.0	6.0	10.0	0.6	C132G102-00****+++	0.0010	14.5	10.0	6.0	11.0	0.6	C132J102-00****+++	0.0010	14.5	10.0	6.0	11.0	0.6	C132K102-00****+++
0.0012	13.5	10.5	6.5	10.0	0.6	C132G122-00****+++	0.0012	14.5	10.5	6.5	11.0	0.6	C132J122-00****+++	0.0012	14.5	10.0	6.0	11.0	0.6	C132K122-00****+++
0.0015	13.5	10.5	6.5	10.0	0.6	C132G152-00****+++	0.0015	14.5	10.5	6.5	11.0	0.6	C132J152-00****+++	0.0015	14.5	10.5	6.5	11.0	0.6	C132K152-00****+++
0.0016	13.5	10.0	6.0	10.0	0.6	C132G162-00****+++	0.0016	14.5	10.5	6.0	11.0	0.6	C132J162-00****+++	0.0016	14.5	10.5	6.5	11.0	0.6	C132K162-00****+++
0.0018	13.5	10.0	6.5	10.0	0.6	C132G182-00****+++	0.0018	14.5	11.0	6.0	11.0	0.6	C132J182-00****+++	0.0018	14.5	11.0	7.0	11.0	0.6	C132K182-00****+++
0.0020	13.5	9.0	5.5	10.0	0.6	C132G202-00****+++	0.0020	14.5	11.0	6.5	11.0	0.6	C132J202-00****+++	0.0020	16.0	11.0	6.5	12.5	0.6	C132K202-00****+++
0.0022	13.5	9.5	5.5	10.0	0.6	C132G222-00****+++	0.0022	14.5	11.0	6.5	11.0	0.6	C132J222-00****+++	0.0022	16.0	11.5	6.5	12.5	0.6	C132K222-00****+++
0.0024	13.5	9.5	5.5	10.0	0.6	C132G242-00****+++	0.0024	14.5	11.5	6.5	11.0	0.6	C132J242-00****+++	0.0024	16.0	11.5	6.5	12.5	0.6	C132K242-00****+++
0.0027	13.5	9.5	5.5	10.0	0.6	C132G272-00****+++	0.0027	14.5	11.5	7.0	11.0	0.6	C132J272-00****+++	0.0027	16.0	11.5	7.0	12.5	0.6	C132K272-00****+++
0.0030	13.5	9.5	6.0	10.0	0.6	C132G302-00****+++	0.0030	14.5	11.5	7.0	11.0	0.6	C132J302-00****+++	0.0030	16.0	12.0	7.0	12.5	0.6	C132K302-00****+++
0.0033	13.5	10.0	6.0	10.0	0.6	C132G332-00****+++	0.0033	14.5	12.0	7.0	11.0	0.6	C132J332-00****+++	0.0033	16.0	12.0	7.5	12.5	0.6	C132K332-00****+++
0.0036	15.0	11.0	5.5	11.0	0.6	C132G362-00****+++	0.0036	14.5	12.0	7.5	11.0	0.6	C132J362-00****+++	0.0036	16.0	12.5	7.5	12.5	0.6	C132K362-00****+++
0.0039	15.0	11.0	6.0	11.0	0.6	C132G392-00****+++	0.0039	14.5	12.5	7.5	11.0	0.6	C132J392-00****+++	0.0039	16.0	12.5	8.0	12.5	0.6	C132K392-00****+++
0.0043	15.0	11.0	6.0	11.0	0.6	C132G432-00****+++	0.0043	14.5	12.5	8.0	11.0	0.6	C132J432-00****+++	0.0043	18.0	12.5	7.5	14.0	0.6	C132K432-00****+++
0.0047	15.0	11.5	6.0	11.0	0.6	C132G472-00****+++	0.0047	14.5	13.0	8.0	11.0	0.6	C132J472-00****+++	0.0047	18.0	13.0	7.5	14.0	0.6	C132K472-00****+++
0.0051	15.0	11.5	6.5	11.0	0.6	C132G512-00****+++	0.0051	18.0	11.5	6.5	14.0	0.6	C132J512-00****+++	0.0051	18.0	13.0	8.0	14.0	0.6	C132K512-00****+++
0.0056	15.0	11.5	6.5	11.0	0.6	C132G562-00****+++	0.0056	18.0	12.0	6.5	14.0	0.6	C132J562-00****+++	0.0056	18.0	13.5	8.0	15.0	0.8	C132K562-00****+++
0.0062	15.0	12.0	6.5	11.0	0.6	C132G622-00****+++	0.0062	18.0	12.0	7.0	14.0	0.6	C132J622-00****+++	0.0062	18.0	14.5	8.0	15.0	0.8	C132K622-00****+++
0.0068	15.0	12.0	7.0	11.0	0.6	C132G682-00****+++	0.0068	18.0	12.5	7.0	14.0	0.6	C132J682-00****+++	0.0068	18.0	15.0	8.0	15.0	0.8	C132K682-00****+++
0.0075	15.0	12.0	7.0	11.0	0.6	C132G752-00****+++	0.0075	18.0	12.5	7.5	14.0	0.6	C132J752-00****+++	0.0075	18.0	15.5	8.5	15.0	0.8	C132K752-00****+++
0.0082	15.0	12.5	7.0	11.0	0.6	C132G822-00****+++	0.0082	18.0	13.0	7.5	14.0	0.6	C132J822-00****+++	0.0082	18.0	15.5	8.5	15.0	0.8	C132K822-00****+++
0.0091	15.0	12.5	7.5	11.0	0.6	C132G912-00****+++	0.0091	18.0	14.0	7.5	14.0	0.6	C132J912-00****+++	0.0091	22.5	14.5	8.0	19.0	0.8	C132K912-00****+++
0.010	15.0	13.0	8.0	11.0	0.6	C132G103-00****+++	0.010	18.0	14.5	7.5	14.0	0.6	C132J103-00****+++	0.010	22.5	15.0	8.0	19.0	0.8	C132K103-00****+++

备注: 1. “-”表示容量偏差。“-”=capacitance tolerance code, K= ± 10%, J= ± 5%, G= ± 2%  
2. “\*\*\*\*”表示引线加工和包装代码(见表1)。“\*\*\*\*”=lead form and packaging code(refer to table 1)