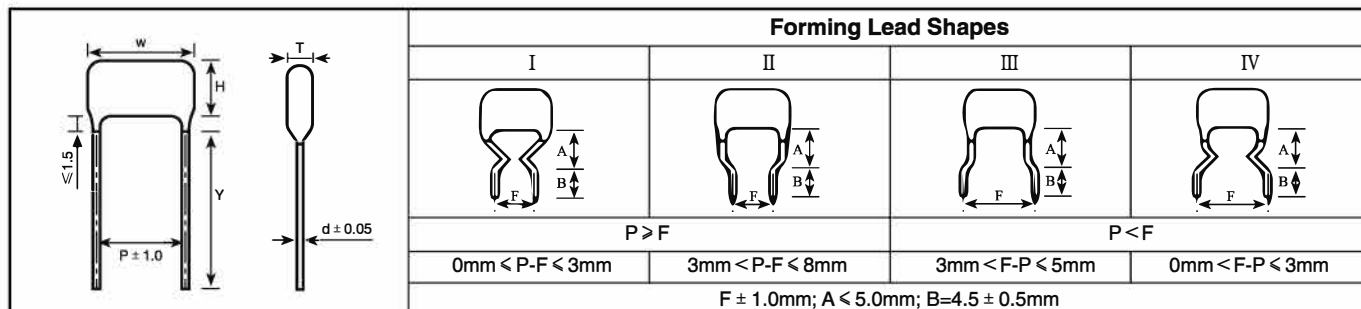


高压金属化聚丙烯膜/箔式电容器 High-voltage metallized polypropylene film/foil capacitor

■ 外形图 Outline Drawing



■ 特点

- 金属化聚丙烯膜箔式，卷绕结构
- 损耗小，内部温升小
- 负电容量温度系数
- 阻燃环氧粉末密封(UL94/V-0)

■ Features

- metallized polypropylene film/foil, wound construction
- Low loss and small inherent temperature rise
- Negative temperature coefficient of capacitance
- Flame retardant epoxy resin powder coating (UL94/V-0)

■ 主要用途

- 大屏幕显示器及彩电行逆程电路
- 适用于高脉冲, 大电流电路
- 适用于电子镇流器

■ Typical Applications

- Horizontal resonance circuits of large screen monitor and colour TV
- Suitable for high pulse and high current loading circuit
- Suitable for electronic ballast

■ 技术要求 Specifications

引用标准 Reference Standard	GB/T 14579 (IEC 60384-17)
气候类别 Climatic Category	40/105/21
额定温度 Rated Temperature	85℃
工作温度范围 Operating Temperature Range	-40℃~105℃ (+85℃ to +105℃: decreasing factor 1.25% per ℃ for V _R (dc))
额定电压 Rated Voltage	630V, 800V, 1 000/1 250V, 1 600V, 2 000V, 2 500V
电容量范围 Capacitance Range	0.0010 μF~0.10μF
电容量偏差 Capacitance Tolerance	± 3%(H), ± 5%(J), ± 10%(K)
耐电压 Voltage Proof	1.75U _R (5s)
损耗角正切 Dissipation Factor	< 10 × 10 ⁻⁴ (1kHz, 20℃) < 20 × 10 ⁻⁴ (10kHz, 20℃)
绝缘电阻 Insulation Resistance	> 50 000MΩ (20℃, 100V, 1min)

产品编码说明 Part number system

■ 18位产品代码如下:

The 18 digits part number is formed as follow:

CBB81

1	2	3	4	5	6	7	8	9	10	11	12	13	14	15	16	17	18
C	1	4															

第1~3位	型号代码 C14= CBB81	Digit 1 to 3	Series code C14= CBB81
第4~5位	直流额定电压 2J=630V 2K=800V 3A=1000V 3L=1200V 3B=1250V 3C=1600V 3D=2000V 3E=2500V	Digit 4 to 5	DC rated voltage 2J=630V 2K=800V 3A=1000V 3L=1200V 3B=1250V 3C=1600V 3D=2000V 3E=2500V
第6~8位	标称容量 举例: 103=10 × 10 ³ pF=0.01μF	Digit 6 to 8	Rated capacitance value For example: 103=10 × 10 ³ pF=0.01μF
第9位	容量偏差 J= ± 5%, K= ± 10%, M= ± 20%	Digit 9	Capacitance tolerance H= ± 3%, J= ± 5%, K= ± 10%
第10位	引线脚距 P 6=15.0mm 8=19.0mm 9=22.0mm A=25.0mm B=27.0mm	Digit 10	Pitch 6=15.0mm 8=19.0mm 9=22.0mm A=25.0mm B=27.0mm
第11位	内部特征码 S=CBB81 II 型	Digit 11	Internal use S=CBB81 Pattern II
第12~15位	引线加工和包装代码	Digit 12 to 15	Lead form and packaging code
第16~18位	内部特征码	Digit 16 to 18	Internal use

■ Table1 引线加工和包装代码 Lead form and packaging code

第12位 Digit 12		第13位 Digit 13		第14位 Digit 14		第15位 Digit 15	
代码 Code	说明 explanation	代码 Code	说明 explanation	代码 Code	说明 explanation	代码 Code	说明 explanation
A	弹带包装 ammo-pack	6	F=15.0mm	1	表示弯脚 kinked	E	P3=25.4mm,H=20.0mm (For pitch=15.0mm) (Detail parameter refer to pag 18)
F	引线成型 lead kinked	6 7 8 9	F=15.0mm F=17.5mm F=20.0mm F=22.5mm	0	B=4.5mm (the length of B)	0	B的长度偏差 ± 0.5mm B Length tolerance ± 0.5mm
Y	直脚 straight lead “Y” in the figure above	代码 Code 45	说明 explanation 引线长度 4.5mm lead length 4.5mm			0	引线长度偏差 ± 0.5mm Length tolerance ± 0.5mm

第12-15位代码为“C000”表示标准的引线长度(20mm~30mm)
Digit12-15 code “C000” means standard lead length (20mm~30mm)

■ 外形尺寸 Dimensions(mm) Pattern II (Reduced sizes)

630/800Vdc (400Vac)#						
容量 (μ F)	W max	H max	T max	P	d	产品代码 Part number
0.0010	18.0	10.1	5.7	15.0	0.8	C142K102-6S****+++
0.0012	18.0	10.5	6.0	15.0	0.8	C142K122-6S****+++
0.0015	18.0	11.0	6.5	15.0	0.8	C142K152-6S****+++
0.0016	18.0	11.6	6.4	15.0	0.8	C142K162-6S****+++
0.0018	18.0	11.9	6.7	15.0	0.8	C142K182-6S****+++
0.0020	18.0	12.2	7.0	15.0	0.8	C142K202-6S****+++
0.0022	18.0	12.5	7.3	15.0	0.8	C142K222-6S****+++
0.0024	18.0	12.7	7.5	15.0	0.8	C142K242-6S****+++
0.0027	18.0	13.1	7.9	15.0	0.8	C142K272-6S****+++
0.0030	18.0	13.5	8.3	15.0	0.8	C142K302-6S****+++
0.0033	18.0	13.8	8.6	15.0	0.8	C142K332-6S****+++
0.0036	18.0	11.7	6.5	15.0	0.8	C142K362-6S****+++
0.0039	18.0	12.0	6.7	15.0	0.8	C142K392-6S****+++
0.0043	18.0	12.2	7.0	15.0	0.8	C142K432-6S****+++
0.0047	18.0	12.5	7.3	15.0	0.8	C142K472-6S****+++
0.0049	18.0	11.9	6.7	15.0	0.8	C142K492-6S****+++
0.0051	18.0	12.0	6.8	15.0	0.8	C142K512-6S****+++
0.0053	18.0	12.1	6.9	15.0	0.8	C142K532-6S****+++
0.0056	18.0	11.5	6.2	15.0	0.8	C142K562-6S****+++
0.0060	18.0	11.6	6.4	15.0	0.8	C142K602-6S****+++
0.0062	18.0	11.7	6.5	15.0	0.8	C142K622-6S****+++
0.0065	18.0	11.8	6.6	15.0	0.8	C142K652-6S****+++
0.0068	18.0	12.0	6.8	15.0	0.8	C142K682-6S****+++
0.0072	18.0	12.1	6.9	15.0	0.8	C142K722-6S****+++
0.0075	18.0	12.2	7.0	15.0	0.8	C142K752-6S****+++
0.0078	18.0	12.4	7.1	15.0	0.8	C142K782-6S****+++
0.0082	18.0	12.5	7.3	15.0	0.8	C142K822-6S****+++
0.0084	18.0	12.6	7.4	15.0	0.8	C142K842-6S****+++
0.0091	18.0	12.8	7.6	15.0	0.8	C142K912-6S****+++
0.010	18.0	13.2	8.0	15.0	0.8	C142K103-6S****+++
0.012	18.0	11.4	6.2	15.0	0.8	C142K123-6S****+++
0.015	18.0	12.0	6.8	15.0	0.8	C142K153-6S****+++
0.018	18.0	12.6	7.4	15.0	0.8	C142K183-6S****+++
0.022	18.0	13.8	8.1	15.0	0.8	C142K223-6S****+++
0.024	18.0	14.1	8.4	15.0	0.8	C142K243-6S****+++
0.027	18.0	14.6	8.9	15.0	0.8	C142K273-6S****+++
0.033	18.0	16.4	9.1	15.0	0.8	C142K333-6S****+++
0.036	18.0	16.8	9.5	15.0	0.8	C142K363-6S****+++

1 000/1 250Vdc (450Vac)#						
容量 (μ F)	W max	H max	T max	P	d	产品代码 Part number
0.0010	18.0	10.1	5.7	15.0	0.8	C143A102-6S****+++
0.0012	18.0	10.5	6.0	15.0	0.8	C143A122-6S****+++
0.0015	18.0	11.0	6.5	15.0	0.8	C143A152-6S****+++
0.0016	18.0	11.6	6.4	15.0	0.8	C143A162-6S****+++
0.0018	18.0	11.9	6.7	15.0	0.8	C143A182-6S****+++
0.0020	18.0	12.2	7.0	15.0	0.8	C143A202-6S****+++
0.0022	18.0	12.5	7.3	15.0	0.8	C143A222-6S****+++
0.0024	18.0	12.7	7.5	15.0	0.8	C143A242-6S****+++
0.0027	18.0	13.6	7.9	15.0	0.8	C143A272-6S****+++
0.0030	18.0	14.0	8.3	15.0	0.8	C143A302-6S****+++
0.0033	18.0	14.3	8.6	15.0	0.8	C143A332-6S****+++
0.0036	18.0	11.7	6.5	15.0	0.8	C143A362-6S****+++
0.0039	18.0	12.0	6.7	15.0	0.8	C143A392-6S****+++
0.0043	18.0	12.2	7.0	15.0	0.8	C143A432-6S****+++
0.0047	18.0	12.5	7.3	15.0	0.8	C143A472-6S****+++
0.0049	18.0	12.6	7.4	15.0	0.8	C143A492-6S****+++
0.0051	18.0	12.8	7.5	15.0	0.8	C143A512-6S****+++
0.0053	18.0	12.9	7.7	15.0	0.8	C143A532-6S****+++
0.0056	18.0	12.1	6.9	15.0	0.8	C143A562-6S****+++
0.0060	18.0	12.3	7.1	15.0	0.8	C143A602-6S****+++
0.0062	18.0	12.4	7.2	15.0	0.8	C143A622-6S****+++
0.0065	18.0	12.6	7.4	15.0	0.8	C143A652-6S****+++
0.0068	18.0	12.7	7.5	15.0	0.8	C143A682-6S****+++
0.0072	18.0	12.9	7.7	15.0	0.8	C143A722-6S****+++
0.0075	18.0	13.5	7.8	15.0	0.8	C143A752-6S****+++
0.0078	18.0	13.7	8.0	15.0	0.8	C143A782-6S****+++
0.0082	18.0	13.9	8.1	15.0	0.8	C143A822-6S****+++
0.0084	18.0	13.9	8.2	15.0	0.8	C143A842-6S****+++
0.0091	18.0	14.2	9.0	15.0	0.8	C143A912-6S****+++
0.010	18.0	14.6	9.4	15.0	0.8	C143A103-6S****+++
0.012	18.0	15.4	10.2	15.0	0.8	C143A123-6S****+++
0.015	18.0	14.9	9.7	15.0	0.8	C143A153-6S****+++
0.018	18.0	15.7	10.5	15.0	0.8	C143A183-6S****+++
0.022	18.0	16.7	11.5	15.0	0.8	C143A223-6S****+++

- 备注: 1. “-”表示容量偏差。“-”=capacitance tolerance code, M= \pm 20%,K= \pm 10%,J= \pm 5%
 2. “****”表示引线加工和包装代码(见table 1)。“****”=lead form and packing code(refer to table 1)
 3. “#”当额定电压为630VDC时,第4~5位是2J。“#” when the rated voltage is 630VDC,the digit 4~5 is 2J.
 “#”当额定电压为1250VDC时,第4~5位是3B。“#” when the rated voltage is 1250VDC,the digit 4~5 is 3B.

■ 外形尺寸 Dimensions(mm)
Pattern II (Reduced sizes)

1 600Vdc (450Vac)						
容量 (μ F)	W max	H max	T max	P	d	产品代码 Part number
0.0010	18.0	10.4	6.0	15.0	0.8	C143C102-6S****+++
0.0012	18.0	10.8	6.4	15.0	0.8	C143C122-6S****+++
0.0015	18.0	11.3	6.9	15.0	0.8	C143C152-6S****+++
0.0016	18.0	12.0	6.8	15.0	0.8	C143C162-6S****+++
0.0018	18.0	12.3	7.1	15.0	0.8	C143C182-6S****+++
0.0020	18.0	12.7	7.4	15.0	0.8	C143C202-6S****+++
0.0022	18.0	12.9	7.7	15.0	0.8	C143C222-6S****+++
0.0024	18.0	13.7	8.0	15.0	0.8	C143C242-6S****+++
0.0027	18.0	11.4	6.2	15.0	0.8	C143C272-6S****+++
0.0030	18.0	11.7	6.5	15.0	0.8	C143C302-6S****+++
0.0033	18.0	11.9	6.7	15.0	0.8	C143C332-6S****+++
0.0036	18.0	11.4	6.2	15.0	0.8	C143C362-6S****+++
0.0039	18.0	11.6	6.4	15.0	0.8	C143C392-6S****+++
0.0043	18.0	11.8	6.6	15.0	0.8	C143C432-6S****+++
0.0047	18.0	12.1	6.9	15.0	0.8	C143C472-6S****+++
0.0049	18.0	12.2	7.0	15.0	0.8	C143C492-6S****+++
0.0051	18.0	12.3	7.1	15.0	0.8	C143C512-6S****+++
0.0053	18.0	12.4	7.2	15.0	0.8	C143C532-6S****+++
0.0056	18.0	12.6	7.4	15.0	0.8	C143C562-6S****+++
0.0060	18.0	12.8	7.6	15.0	0.8	C143C602-6S****+++
0.0062	18.0	12.9	7.7	15.0	0.8	C143C622-6S****+++
0.0065	18.0	13.6	7.9	15.0	0.8	C143C652-6S****+++
0.0068	18.0	13.7	8.0	15.0	0.8	C143C682-6S****+++
0.0072	18.0	13.9	8.2	15.0	0.8	C143C722-6S****+++
0.0075	18.0	14.1	8.4	15.0	0.8	C143C752-6S****+++
0.0078	18.0	14.2	9.0	15.0	0.8	C143C782-6S****+++
0.0082	18.0	14.4	9.2	15.0	0.8	C143C822-6S****+++
0.0084	18.0	14.5	9.3	15.0	0.8	C143C842-6S****+++
0.0091	18.0	14.9	9.6	15.0	0.8	C143C912-6S****+++
0.010	18.0	15.3	10.0	15.0	0.8	C143C103-6S****+++
0.012	18.0	16.1	10.9	15.0	0.8	C143C123-6S****+++

2 000Vdc (500Vac)						
容量 (μ F)	W max	H max	T max	P	d	产品代码 Part number
0.0010	18.0	10.4	6.0	15.0	0.8	C143D102-6S****+++
0.0012	18.0	10.8	6.4	15.0	0.8	C143D122-6S****+++
0.0015	18.0	11.3	6.9	15.0	0.8	C143D152-6S****+++
0.0016	18.0	12.0	6.8	15.0	0.8	C143D162-6S****+++
0.0018	18.0	12.3	7.1	15.0	0.8	C143D182-6S****+++
0.0020	18.0	12.7	7.4	15.0	0.8	C143D202-6S****+++
0.0022	18.0	12.9	7.7	15.0	0.8	C143D222-6S****+++
0.0024	18.0	11.8	6.6	15.0	0.8	C143D242-6S****+++
0.0027	18.0	12.1	6.9	15.0	0.8	C143D272-6S****+++
0.0030	18.0	12.4	7.2	15.0	0.8	C143D302-6S****+++
0.0033	18.0	12.7	7.5	15.0	0.8	C143D332-6S****+++
0.0036	18.0	12.2	7.0	15.0	0.8	C143D362-6S****+++
0.0039	18.0	12.4	7.2	15.0	0.8	C143D392-6S****+++
0.0043	18.0	12.7	7.5	15.0	0.8	C143D432-6S****+++
0.0047	18.0	13.5	7.8	15.0	0.8	C143D472-6S****+++
0.0049	18.0	13.7	8.0	15.0	0.8	C143D492-6S****+++
0.0051	18.0	13.8	8.1	15.0	0.8	C143D512-6S****+++
0.0053	18.0	13.9	8.2	15.0	0.8	C143D532-6S****+++
0.0056	18.0	14.2	8.4	15.0	0.8	C143D562-6S****+++
0.0060	18.0	14.4	9.2	15.0	0.8	C143D602-6S****+++
0.0062	18.0	14.5	9.3	15.0	0.8	C143D622-6S****+++
0.0065	18.0	14.7	9.5	15.0	0.8	C143D652-6S****+++
0.0068	18.0	14.9	9.7	15.0	0.8	C143D682-6S****+++
0.0072	18.0	15.2	9.9	15.0	0.8	C143D722-6S****+++
0.0075	18.0	15.3	10.1	15.0	0.8	C143D752-6S****+++
0.0078	18.0	15.5	10.3	15.0	0.8	C143D782-6S****+++
0.0082	18.0	15.7	10.5	15.0	0.8	C143D822-6S****+++
0.0084	18.0	15.8	10.6	15.0	0.8	C143D842-6S****+++
0.0091	18.0	16.2	11.0	15.0	0.8	C143D912-6S****+++
0.010	18.0	16.7	11.5	15.0	0.8	C143D103-6S****+++

2 500Vdc(500Vac)						
容量 (μ F)	W max	H max	T max	P	d	产品代码 Part number
0.0010	18.0	10.4	6.0	15.0	0.8	C143E102-6S****+++
0.0012	18.0	10.8	6.4	15.0	0.8	C143E122-6S****+++
0.0015	18.0	11.3	6.9	15.0	0.8	C143E152-6S****+++
0.0016	18.0	12.0	6.8	15.0	0.8	C143E162-6S****+++
0.0018	18.0	12.3	7.1	15.0	0.8	C143E182-6S****+++
0.0020	18.0	12.7	7.4	15.0	0.8	C143E202-6S****+++
0.0022	18.0	12.9	7.7	15.0	0.8	C143E222-6S****+++
0.0024	18.0	11.8	6.6	15.0	0.8	C143E242-6S****+++
0.0027	18.0	12.1	6.9	15.0	0.8	C143E272-6S****+++
0.0030	18.0	12.4	7.2	15.0	0.8	C143E302-6S****+++
0.0033	18.0	12.7	7.5	15.0	0.8	C143E332-6S****+++
0.0036	18.0	13.5	7.8	15.0	0.8	C143E362-6S****+++
0.0039	18.0	13.8	8.1	15.0	0.8	C143E392-6S****+++

2 500Vdc(500Vac)						
容量 (μ F)	W max	H max	T max	P	d	产品代码 Part number
0.0043	18.0	14.1	8.4	15.0	0.8	C143E432-6S****+++
0.0047	18.0	14.5	9.3	15.0	0.8	C143E472-6S****+++
0.0049	18.0	14.6	9.4	15.0	0.8	C143E492-6S****+++
0.0051	18.0	14.8	9.6	15.0	0.8	C143E512-6S****+++
0.0053	18.0	15.0	9.7	15.0	0.8	C143E532-6S****+++
0.0056	18.0	15.2	10.0	15.0	0.8	C143E562-6S****+++
0.0060	18.0	15.5	10.3	15.0	0.8	C143E602-6S****+++
0.0062	18.0	15.6	10.4	15.0	0.8	C143E622-6S****+++
0.0065	18.0	15.9	10.6	15.0	0.8	C143E652-6S****+++
0.0068	18.0	16.1	10.9	15.0	0.8	C143E682-6S****+++
0.0072	18.0	16.3	11.1	15.0	0.8	C143E722-6S****+++
0.0075	18.0	16.5	11.3	15.0	0.8	C143E752-6S****+++
0.0078	18.0	16.7	11.5	15.0	0.8	C143E782-6S****+++

备注: 1. “-”表示容量偏差。“-”=capacitance tolerance code, M= \pm 20%,K= \pm 10%,J= \pm 5%
2. “****”表示引线加工和包装代码(见table 1)。“****”=lead form and packing code(refer to table 1)

■ 外形尺寸 Dimensions(mm)

800Vdc						
容量 (μ F)	W max	H max	T max	P	d	产品代码 Part number
0.0010	18.5	12.0	7.0	15.0	0.8	C142K102-60****+++
0.0012	18.5	12.5	7.0	15.0	0.8	C142K122-60****+++
0.0015	18.5	13.0	7.5	15.0	0.8	C142K152-60****+++
0.0016	18.5	13.0	8.0	15.0	0.8	C142K162-60****+++
0.0018	18.5	13.5	8.0	15.0	0.8	C142K182-60****+++
0.0020	18.5	13.5	8.5	15.0	0.8	C142K202-60****+++
0.0022	18.5	14.0	9.0	15.0	0.8	C142K222-60****+++
0.0024	18.5	14.5	9.0	15.0	0.8	C142K242-60****+++
0.0027	18.5	14.5	9.5	15.0	0.8	C142K272-60****+++
0.0030	18.5	15.0	10.0	15.0	0.8	C142K302-60****+++
0.0033	18.5	15.5	10.0	15.0	0.8	C142K332-60****+++
0.0036	18.5	13.0	8.0	15.0	0.8	C142K362-60****+++
0.0039	18.5	13.5	8.5	15.0	0.8	C142K392-60****+++
0.0043	18.5	14.0	8.5	15.0	0.8	C142K432-60****+++
0.0047	18.5	14.0	9.0	15.0	0.8	C142K472-60****+++
0.0049	18.5	14.0	9.0	15.0	0.8	C142K492-60****+++
0.0051	18.5	14.5	9.0	15.0	0.8	C142K512-60****+++
0.0053	18.5	14.5	9.5	15.0	0.8	C142K532-60****+++
0.0056	18.5	14.5	9.5	15.0	0.8	C142K562-60****+++
0.0060	18.5	15.0	10.0	15.0	0.8	C142K602-60****+++
0.0062	18.5	15.0	10.0	15.0	0.8	C142K622-60****+++
0.0065	18.5	15.5	10.0	15.0	0.8	C142K652-60****+++
0.0068	18.5	15.5	10.5	15.0	0.8	C142K682-60****+++
0.0072	18.5	15.5	10.5	15.0	0.8	C142K722-60****+++
0.0075	18.5	16.0	10.5	15.0	0.8	C142K752-60****+++
0.0078	18.5	16.0	11.0	15.0	0.8	C142K782-60****+++
0.0082	18.5	16.5	11.0	15.0	0.8	C142K822-60****+++
0.0084	18.5	16.5	11.0	15.0	0.8	C142K842-60****+++
0.0091	18.5	17.0	11.5	15.0	0.8	C142K912-60****+++
0.010	18.5	17.5	12.0	15.0	0.8	C142K103-60****+++
0.012	18.5	13.0	8.0	15.0	0.8	C142K123-60****+++
0.015	18.5	14.0	8.5	15.0	0.8	C142K153-60****+++
0.018	18.5	14.5	9.5	15.0	0.8	C142K183-60****+++
0.022	18.5	15.5	10.0	15.0	0.8	C142K223-60****+++
0.024	18.5	15.5	10.5	15.0	0.8	C142K243-60****+++
0.027	18.5	16.0	11.0	15.0	0.8	C142K273-60****+++
0.033	23.0	16.0	9.5	19.0	0.8	C142K333-80****+++
0.036	23.0	16.5	9.5	19.0	0.8	C142K363-80****+++
0.039	23.0	16.5	10.0	19.0	0.8	C142K393-80****+++
0.047	23.0	17.5	11.0	19.0	0.8	C142K473-80****+++
0.056	23.0	18.5	11.5	19.0	0.8	C142K563-80****+++
0.068	26.0	19.0	11.0	22.0	0.8	C142K683-90****+++
0.082	26.0	20.0	12.0	22.0	0.8	C142K823-90****+++
0.10	26.0	21.5	13.0	22.0	0.8	C142K104-90****+++

1 000/1 200Vdc#						
容量 (μ F)	W max	H max	T max	P	d	产品代码 Part number
0.0010	18.5	12.0	7.0	15.0	0.8	C143A102-60****+++
0.0012	18.5	12.5	7.0	15.0	0.8	C143A122-60****+++
0.0015	18.5	13.0	7.5	15.0	0.8	C143A152-60****+++
0.0016	18.5	13.0	8.0	15.0	0.8	C143A162-60****+++
0.0018	18.5	13.5	8.0	15.0	0.8	C143A182-60****+++
0.0020	18.5	13.5	8.5	15.0	0.8	C143A202-60****+++
0.0022	18.5	14.0	9.0	15.0	0.8	C143A222-60****+++
0.0024	18.5	14.5	9.0	15.0	0.8	C143A242-60****+++
0.0027	18.5	14.5	9.5	15.0	0.8	C143A272-60****+++
0.0030	18.5	15.0	10.0	15.0	0.8	C143A302-60****+++
0.0033	18.5	15.5	10.0	15.0	0.8	C143A332-60****+++
0.0036	18.5	13.0	8.0	15.0	0.8	C143A362-60****+++
0.0039	18.5	13.5	8.5	15.0	0.8	C143A392-60****+++
0.0043	18.5	14.0	8.5	15.0	0.8	C143A432-60****+++
0.0047	18.5	14.0	9.0	15.0	0.8	C143A472-60****+++
0.0049	18.5	14.0	9.0	15.0	0.8	C143A492-60****+++
0.0051	18.5	14.5	9.0	15.0	0.8	C143A512-60****+++
0.0053	18.5	14.5	9.5	15.0	0.8	C143A532-60****+++
0.0056	18.5	14.5	9.5	15.0	0.8	C143A562-60****+++
0.0060	23.0	14.5	7.5	19.0	0.8	C143A602-80****+++
0.0062	23.0	14.5	7.5	19.0	0.8	C143A622-80****+++
0.0065	23.0	14.5	8.0	19.0	0.8	C143A652-80****+++
0.0068	23.0	14.5	8.0	19.0	0.8	C143A682-80****+++
0.0072	23.0	15.0	8.0	19.0	0.8	C143A722-80****+++
0.0075	23.0	15.0	8.0	19.0	0.8	C143A752-80****+++
0.0078	23.0	15.0	8.5	19.0	0.8	C143A782-80****+++
0.0082	23.0	15.5	8.5	19.0	0.8	C143A822-80****+++
0.0084	23.0	15.5	8.5	19.0	0.8	C143A842-80****+++
0.0091	23.0	15.5	9.0	19.0	0.8	C143A912-80****+++
0.010	23.0	16.0	9.0	19.0	0.8	C143A103-80****+++
0.012	23.0	16.5	10.0	19.0	0.8	C143A123-80****+++
0.015	29.0	15.5	9.0	25.0	0.8	C143A153-A0****+++
0.018	29.0	16.5	9.5	25.0	0.8	C143A183-A0****+++
0.022	29.0	18.5	10.0	25.0	0.8	C143A223-A0****+++
0.024	29.0	18.5	10.5	25.0	0.8	C143A243-A0****+++
0.027	29.0	19.0	11.0	25.0	0.8	C143A273-A0****+++
0.033	29.0	20.5	12.0	25.0	0.8	C143A333-A0****+++
0.036	29.0	20.5	12.5	25.0	0.8	C143A363-A0****+++

备注: 1. “-”表示容量偏差。“-”=capacitance tolerance code, M= \pm 20%,K= \pm 10%,J= \pm 5%
 2. “****”表示引线加工和包装代码(见table 1)。“****”=lead form and packing code(refer to table 1)
 3. “#”当额定电压为1200VDC时,第4~5位是3L。“#”when the rated voltage is 1200VDC,the digit 4~5 is 3L.

■ 外形尺寸 Dimensions(mm)

1 600/2 000Vdc#						
容量 (μ F)	W max	H max	T max	P	d	产品代码 Part number
0.0010	18.5	12.0	7.0	15.0	0.8	C143C102-60****+++
0.0012	18.5	12.5	7.0	15.0	0.8	C143C122-60****+++
0.0015	18.5	13.0	7.5	15.0	0.8	C143C152-60****+++
0.0016	18.5	13.0	8.0	15.0	0.8	C143C162-60****+++
0.0018	18.5	13.5	8.0	15.0	0.8	C143C182-60****+++
0.0020	18.5	13.5	8.5	15.0	0.8	C143C202-60****+++
0.0022	18.5	14.0	9.0	15.0	0.8	C143C222-60****+++
0.0024	18.5	14.5	9.0	15.0	0.8	C143C242-60****+++
0.0027	18.5	14.5	9.5	15.0	0.8	C143C272-60****+++
0.0030	18.5	15.0	10.0	15.0	0.8	C143C302-60****+++
0.0033	18.5	15.5	10.0	15.0	0.8	C143C332-60****+++
0.0036	23.0	14.5	9.0	19.0	0.8	C143C362-80****+++
0.0039	23.0	15.5	9.0	19.0	0.8	C143C392-80****+++
0.0043	23.0	16.0	9.0	19.0	0.8	C143C432-80****+++
0.0047	23.0	16.0	9.5	19.0	0.8	C143C472-80****+++
0.0049	23.0	16.5	9.5	19.0	0.8	C143C492-80****+++
0.0051	23.0	16.5	10.0	19.0	0.8	C143C512-80****+++
0.0053	23.0	16.5	10.0	19.0	0.8	C143C532-80****+++
0.0056	23.0	17.0	10.0	19.0	0.8	C143C562-80****+++
0.0060	23.0	15.5	8.5	19.0	0.8	C143C602-80****+++
0.0062	23.0	15.5	9.0	19.0	0.8	C143C622-80****+++
0.0065	23.0	15.5	9.0	19.0	0.8	C143C652-80****+++
0.0068	23.0	16.0	9.0	19.0	0.8	C143C682-80****+++
0.0072	23.0	16.0	9.5	19.0	0.8	C143C722-80****+++
0.0075	23.0	16.5	9.5	19.0	0.8	C143C752-80****+++
0.0078	23.0	16.5	9.5	19.0	0.8	C143C782-80****+++
0.0082	23.0	16.5	10.0	19.0	0.8	C143C822-80****+++
0.0084	23.0	16.5	10.0	19.0	0.8	C143C842-80****+++
0.0091	23.0	17.0	10.5	19.0	0.8	C143C912-80****+++
0.010	29.0	15.5	8.5	25.0	0.8	C143C103-A0****+++
0.012	29.0	16.0	9.5	25.0	0.8	C143C123-A0****+++
0.015	29.0	18.0	9.5	25.0	0.8	C143C153-A0****+++
0.018	29.0	19.0	10.5	25.0	0.8	C143C183-A0****+++
0.022	29.0	20.0	11.5	25.0	0.8	C143C223-A0****+++
0.024	29.0	20.5	12.0	25.0	0.8	C143C243-A0****+++
0.027	31.0	20.5	12.0	27.0	0.8	C143C273-B0****+++
0.033	31.0	21.5	13.0	27.0	0.8	C143C333-B0****+++
0.036	31.0	22.0	13.5	27.0	0.8	C143C363-B0****+++

备注: 1. “-”表示容量偏差。“-”=capacitance tolerance code, M= \pm 20%,K= \pm 10%,J= \pm 5%
 2. “****”表示引线加工和包装代码(见table 1)。“****”=lead form and packing code(refer to table 1)
 3. “#”当额定电压为2000VDC时,第4~5位是3D。“#” when the rated voltage is 2000VDC,the digit 4~5 is 3D.